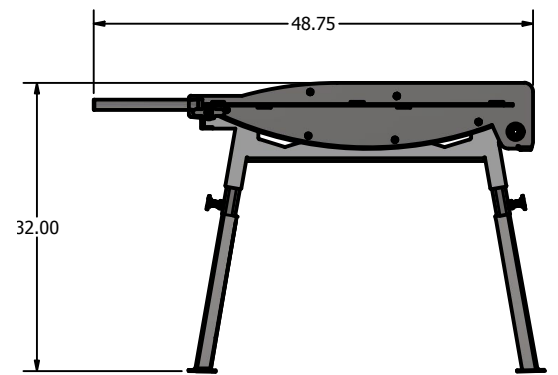
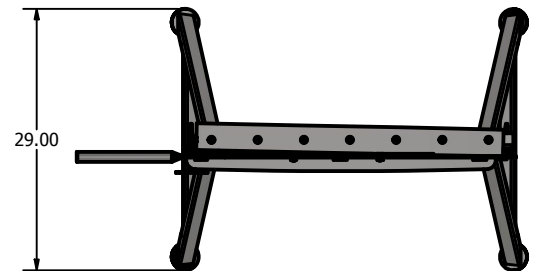




STONE COAT CUTTER



STONE COAT CUTTER

The Stone Coat Cutter is designed for use on a multitude of applications from stone coated metal, shake and shingle, to 14 gauge stainless flat sheet. Equipped with a 34" blade that is made of long lasting, high carbon steel. This go-to tool is safe, efficient, and will give you a clean cut every time. It is proudly designed and manufactured in the USA.

Specifications:

- Removable legs for ease of transport
- Simple lock to keep blade closed during storage
- Weighs 65 pounds
- Includes dual edge blade for double the cutting life
- Can be used with any stone coated steel manufacturers panel

